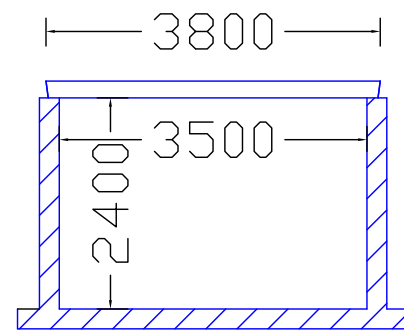
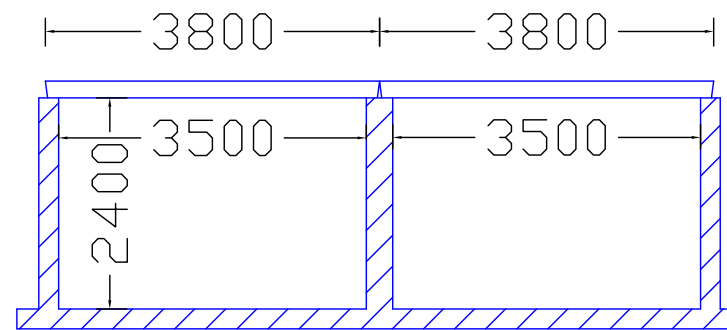


Section AA



Section BB

Single tank cross-section



Section BB

Double tank cross-section